

# 1902C 16:9 PCAP

## Desktop Touchscreen Monitor



## Features

- + Flat appearance design
- + Metal shell, ultra-thin shape
- + Commercial grade LCD, LED backlight
- + Resolution 1366X768FHD@60Hz
- + Widescreen full viewing Angle
- + Supports vertical and horizontal screen
- + 10 point projective capacitive touchscreen
- + Cover plate anti riot and anti fingerprint
- + Video interface: HDMI+VGA
- + Stable base with adjustable angle
- + Back VESA wall mount base
- + Support OS: Windows/Android/Linux
- + 2-Year Warranty

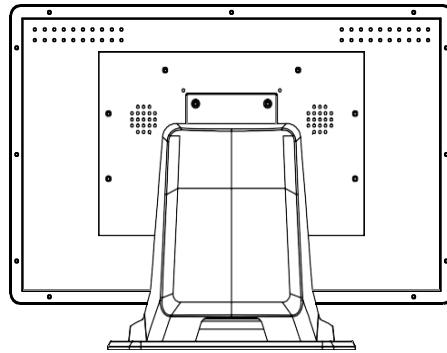
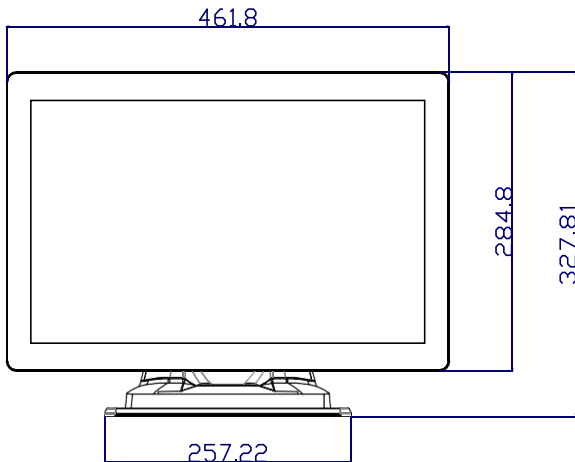
### Optional:

- No Touch
- Private Filter
- AG Coating
- Video interface: Display Port
- All-in-one (Windows/Android)

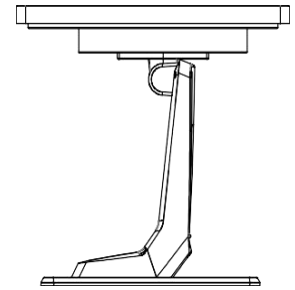
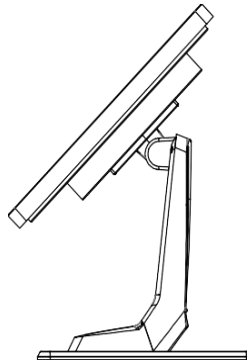
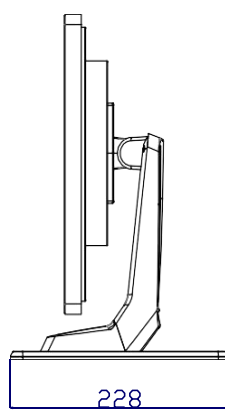
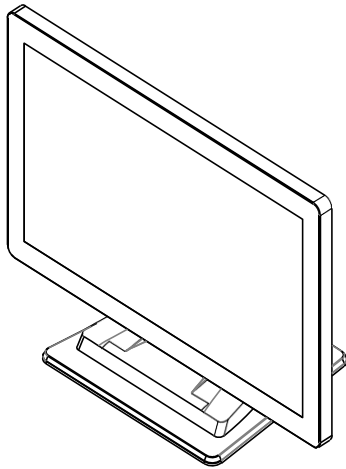


TDS1902C Desktop Touchscreen Specification	
Model	1902C
Diagonal	18.5"
Color	Black/Sliver
Aspect Ratio	16:9
Active Area	409.8X230.4(mm)
Dimensions	461.8X284.8X38(mm)
Resolution	1366X768 DPI@60Hz
Viewing Angle	Horizontal: 85° /85°;Vertical: 80° /80°
Brightness	LCDPanel: 250nits;PCAPTouCh: 225 nits
Number of Colors	16.7M
Contrast Ratio	1000:1
Response Time	5ms
Touch technology	PCAP (TouchPro® Projected Capacitive) -10 touch
Input method	Finger, Capacitance pen(Standard) Latex gloves touch (pre commissioning required)
Transmittance	≥90%
Surface hardness	7H(Mohs)
Touch interface	USB 2.0
Video Interface	VGA+HDMI
Speaker	TwoX2W internal speakers
Input Voltage	AC:100-240VAC, 50/60Hz
Sealability	Touchscreen sealed to bezel
Drop Ball Test	The 1kg ball does not break when it falls from 1.2 meters
Weight (Unpackage)	5.5KG
Shipping Dimensions	510X340X135(mm)
Operating Temperature	0°C-40°C
Storage Temperature	-20°C-60°C
Humidity	Operating: 20%-70%;Storage: 10%-80%
MTBF	30,000 hours
Mounting Options	VESA:75X75(mm),100X100(mm)
BASE	Adjusting angle: 0°C-45°C(Optional)
Power Supply	12V3A
Warranty	2-years
Agency Approvals	FCC; CE; RoHS
Support OS	Windows/Linux\Android
What's in the Box	1*USB cable,1*HDMI cable,1*DC cable

# 1902C - PCAP



Base Angle adjustable



Dimensions are in millimeters

