

1502B 4:3 PCAP

Desktop Touch Monitor



Features

- + Flat appearance design
- + Metal shell, ultra-thin shape
- + Industrial grade LCD, LED backlight
- + Resolution 1024 X768@60Hz
- + High contrast and high brightness
- + 10 point projective capacitive touchscreen
- + Cover plate anti riot and anti fingerprint
- + Video interface: HDMI+VGA
- + Stable base with adjustable angle
- + Back VESA wall hanging hole
- + Support OS: Windows/Android/Linux
- + 2-years Warranty

Optional:

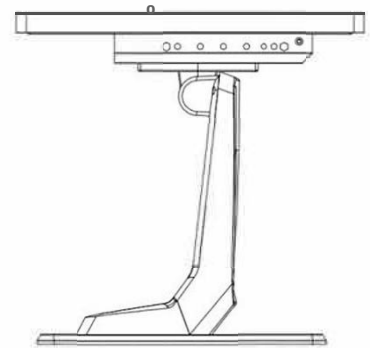
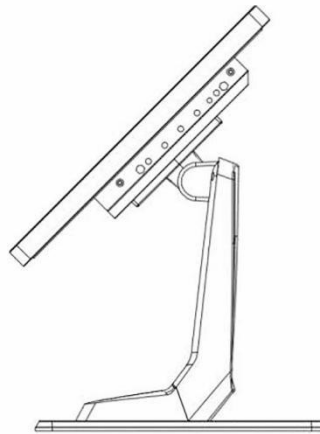
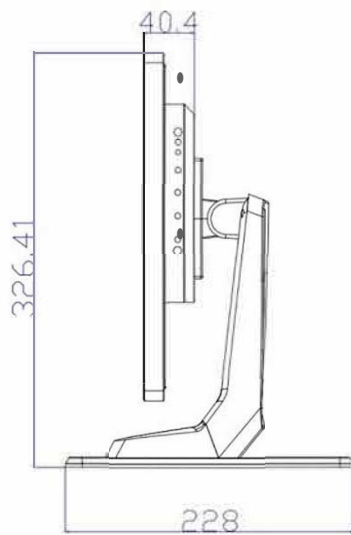
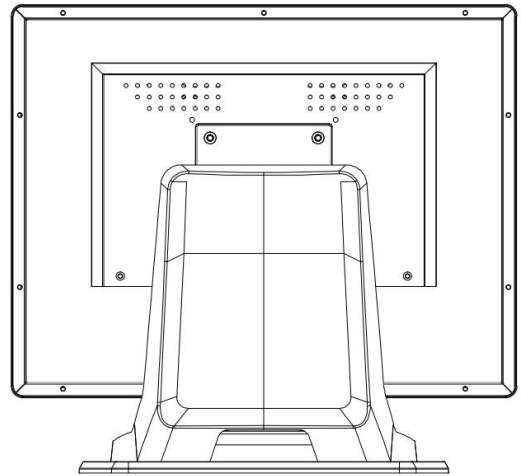
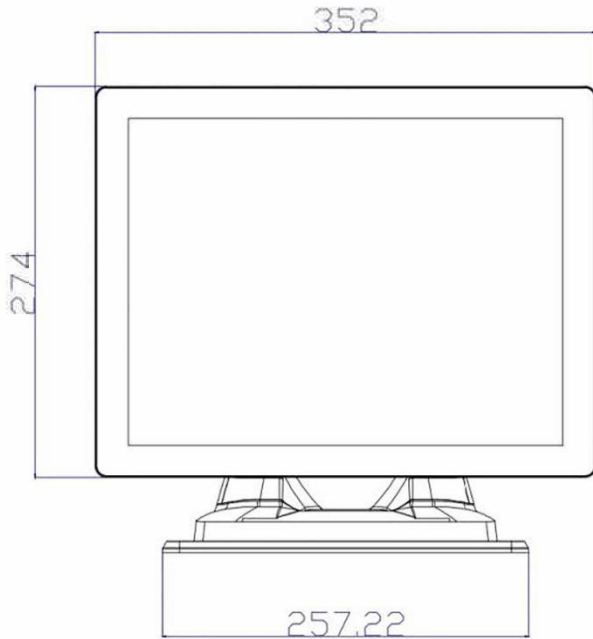
- No Touch
- Private Filter
- AG Coating
- Touch interface: RS232
- Video interface: Display Port
- ALL-IN-ONE(Android /Windows)



TDS1502B Desktop Touchscreen Monitor Specification

Model	1502B
Diagonal	15"
Color	Black\Silver
Aspect Ratio	4:3
Active Area	304.12X228.09(mm)
Dimensions	352X274X40.4(mm)
Resolution	1024 X768DPI @60Hz
Viewing Angle	Horizontal: 89° /89°;Vertical: 89° /89°
Brightness	LCD panel : 300nits; PCAP : 275 nits
Number of Colors	16.2 M
Contrast Ratio	1500:1
Response Time	20ms
Touch Technology	PCAP(Projected Capacitive) -10 points
Input method	Finger, Capacitance pen(Standard) Latex gloves touch (pre commissioning required)
Transmittance	≥90%
Touch Interface	USB 2.0
Surface hardness	7H(Mohs)
Video Interface	VGA+HDMI
Input Voltage	AC:100-240VAC, 50/60Hz
Sealability	Seal between touchscreen and frame
Drop Ball Test	The 1kg ball does not broken when it falls from 1.2 meters
Weight(Unpackage)	3kG
Shipping Dimensions	520X340X135(mm)
Operating Temperature	0°C-40°C
Storage Temperature	-20°C-60°C
Humidity	Operating: 20% to 70%; Storage: 10% to 80%
MTBF	50,000 hours
Power Supply	DC:12V/3A
Mounting Options	VESA:75X75(mm) 100X100 (mm)
BASE	Adjusting angle: 0°C-90°C(Optional)
Warranty	2-years
Agency Approvals	FCC; CE; RoHS;CCC
Support OS	Windows/ Android/Linux
What's in the Box	1*USB cable,1*VGA cable,1*DC cable

1502B - PCAP



Dimensions are in millimeters

