

# 1702B 5:4 PCAP

## Desktop Touch Monitor



## Features

- + Flat appearance design
- + Metal shell, ultra-thin shape
- + Industrial grade LCD, LED backlight
- + Resolution 1280 X1024@60Hz
- + 10 point projection capacitive touchscreen
- + Cover plate anti riot and anti fingerprint
- + Video interface: VGA+HDMI
- + Stable base with adjustable angle
- + Back VESA wall mounting hole
- + Support OS: Windows/Android/Linux
- + 2-years warranty

### Optional:

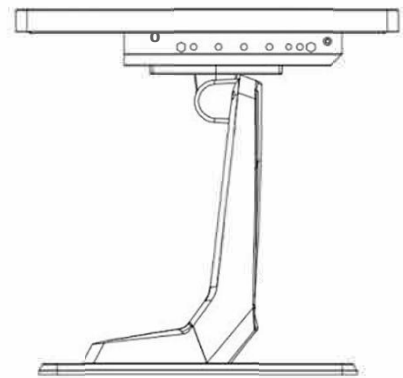
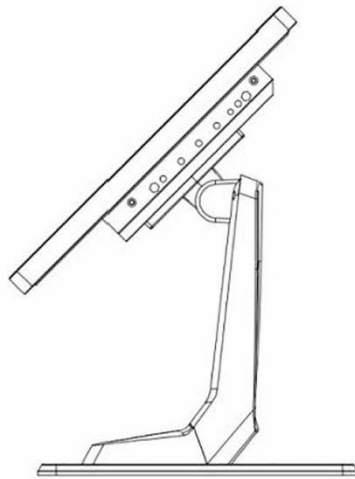
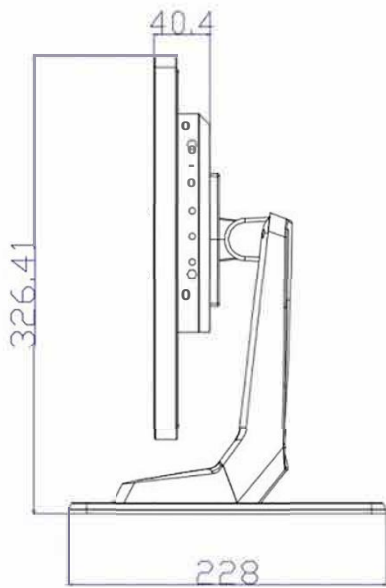
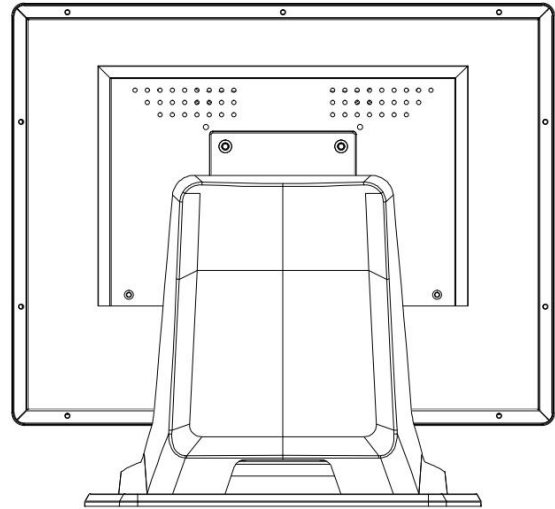
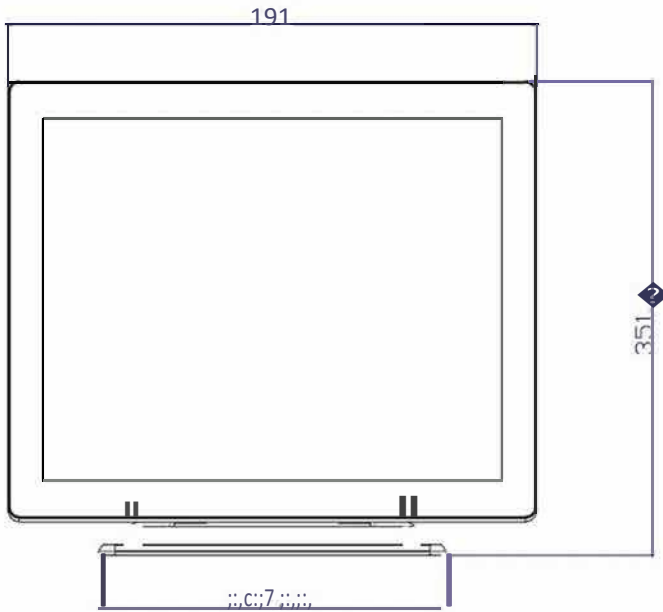
- No Touch
- Private Filter
- Touch interface:RS232
- Video interface:Display Port
- All-in-one (Windows/Android )



## TDS1702B Desktop Touch Monitor Specifications

Model	1702B
Color	Black\Silver
Diagonal	17"
Aspect Ratio	5:4
Active Area	337.92X270.336(mm)
Dimensions	391X351.41X40.4(mm)
Resolution	1280X1024 @60Hz
Viewing Angle	Horizontal: 85° /85°;Vertical: 80° /80°
Number of Colors	16.7M
Brightness (typical)	LCD panel : 250nits; PCAP : 225 nits
Contrast Ratio	1000:1
Response Time	5ms
Touch Technology	PCAP(Projected Capacitive) -10 points
Input method	Finger, Capacitance pen(Standard) Latex gloves touch (pre commissioning required)
Transmittance	≥90%
Surface hardness	7H(Mohs)
Touch Interface	USB2.0
Video Interface	VGA+HDMI
Input Voltage	AC:100-240VAC, 50/60Hz
Sealability	Touchscreen sealed to bezel
Drop Test	1kg steel ball falls from 1.2m without breaking
Weight(Unpackaged)	4kG
Shipping Dimensions	520X340X135(mm)
Operating Temperature	0°C-40°C
Storage Temperature	-20°C- 60°C
Humidity	Operating: 20%-70%; Storage: 10%-80%
MTBF	50,000 hours
Mounting Options	VESA:75X75(mm),100X100 (mm)
Base	Adjustable Angle 0-90 degrees (Optional)
Power Supply	DC:12V3A
Warranty	2-years
Agency Approvals	FCC; CE; RoHS
Support OS	Windows/Android/Linux
What's in the Box	1*USB cable,1*VGA cable,1*DC cable

# 1738 B -PCAP



Dimensions are in millimeters

