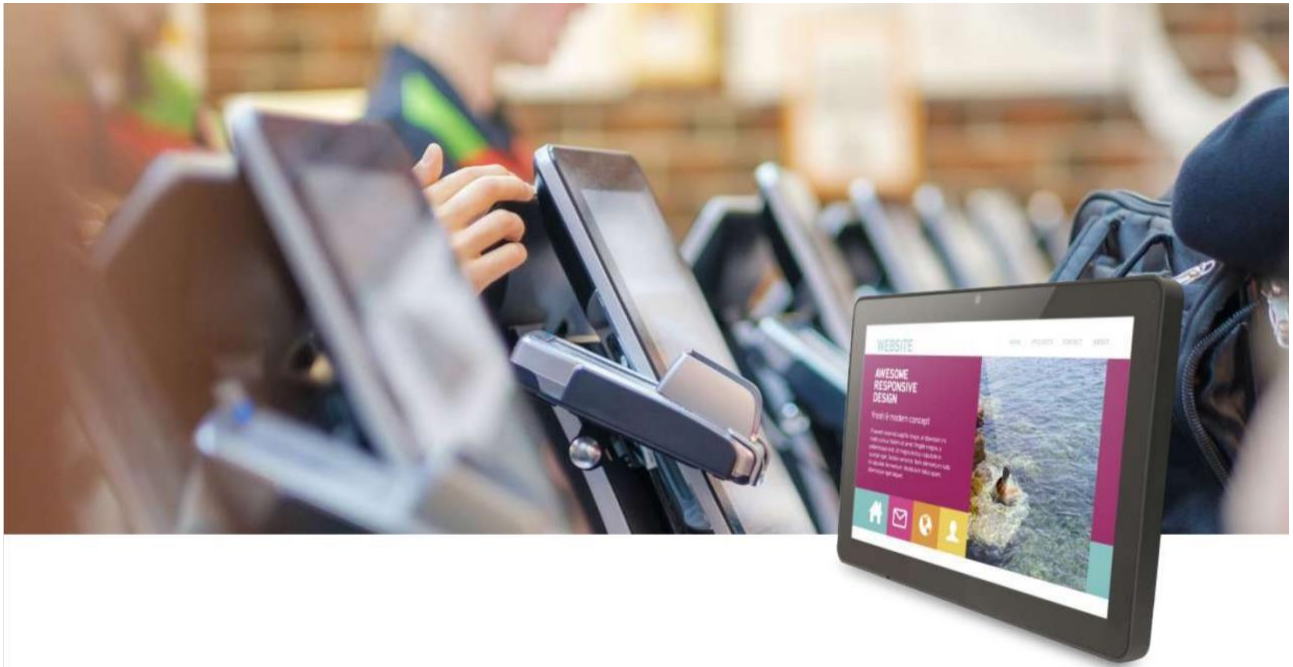


1002D 16:10 PCAP

Digital Signage Touch Monitor



Features

- + Flat appearance design
- + Metal shell, ultra-thin shape
- + Commercial grade LCD, LED backlight
- + Resolution 1280X800@60Hz
- + Widescreen full viewing Angle
- + 10 point projective capacitive touchscreen
- + Cover plate anti riot and anti fingerprint
- + Support vertical and horizontal screen
- + Video interface: HDMI+VGA
- + Back VESA wall mounting hole
- + Support OS: Windows/Android/Linux
- + 2-years warranty



Optional

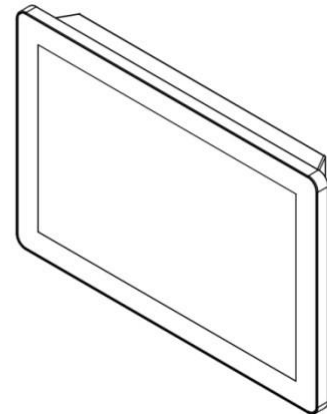
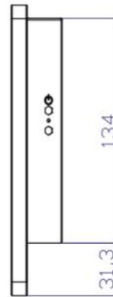
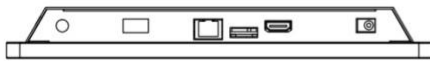
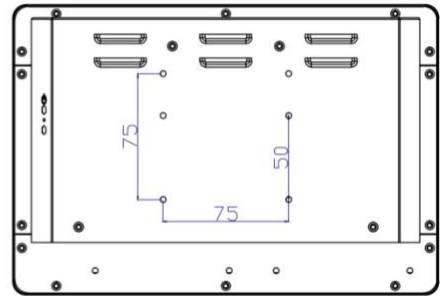
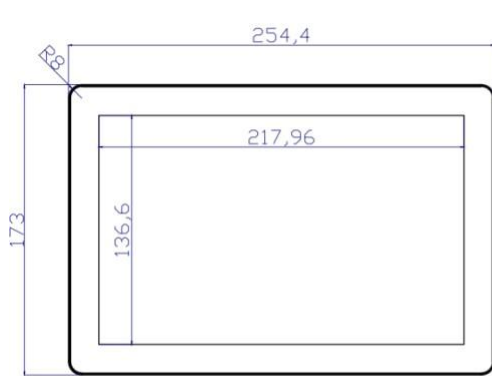
- No Touch
- AG Coating
- Media play
- Video interface: Display Port
- ALL-IN-ONE(Android /Windows)



TDS1002D Digital Signage Touch Monitor Specification

Model	1002D
Color	Black/silver
Diagonal size	10.1"
Aspect ratio	16:10
Active area	216.96 X135.6 (mm)
Dimensions	254.4 X173X30.7 (mm)
Resolution	1280X800@ 60Hz
Viewing Angle	Horizontal: 85° /85°, vertical: 85° /85°
Number of Colors	16.7M
Brightness	LCD panel: 300nits;PCAP touch: 275nits
Contrast	800:1.
Response time	25ms
Touch technology	Projective capacitors - 10 touch
Input method	Finger, Capacitance pen(Standard) Latex gloves touch (pre commissioning required)
Light transmittance	≥90%
The surface hardness	6H(MOHS)
Control card interface	USB 2.0
Video interface	HDMI+VGA
Speaker	TwoX2W internal speakers
Input voltage	AC: 100-240 VAC,50/60 Hz
Sealability	Touchscreen sealed to bezel
Drop test	1kg steel ball falls from 1.2m without breaking
Weight(Unpackage)	1.5KG
Shipping Dimensions	350 X200X140(mm)
Operating Temperature	0°C-40°C
Storage Temperature	-20°C-60°C
Humidity	Operating: 20% to 70%; Storage: 10% to 80%
MTBF	30000 hours
Power supply	12V2A
VESA Mounting	75X75(mm)
Warranty	2-years
Agency Approvals	FCC; CE; ROHS
Support OS	Windows/Android/Linux
What's in the Box	1*USB cable,1*HDMI cable,1*DC cable

TDS1002D-PCAP



Dimensions are in millimeters

