

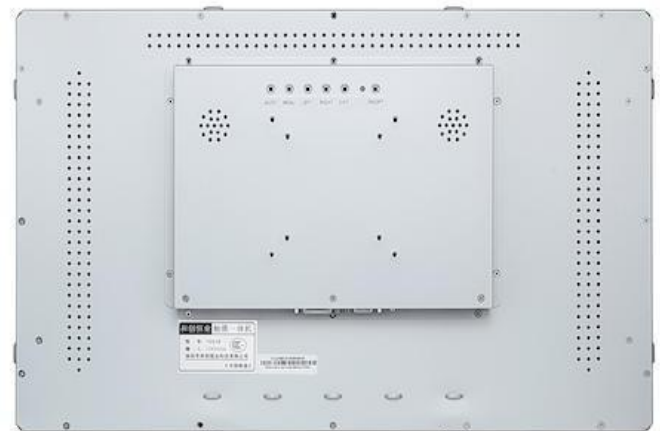
# 2738C 16:9 PCAP

Open-Frame Touchscreen



## Feature:

- + Metal shell, open frame structure
- + Flat frame-less appearance
- + The step frame is easy to assemble
- + Commercial grade LCD, LED backlight
- + Resolution 1920X1080 FHD@60Hz
- + Widescreen full viewing Angle
- + 10 point projection capacitive touchscreen
- + Cover plate anti riot and anti fingerprint
- + Video interface: HDMI+VGA
- + Multiple assembly holes on the side and back
- + Support OS: Windows/Android/Linux
- + 3-Years warranty



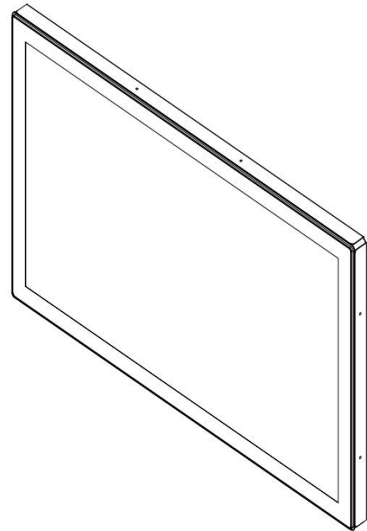
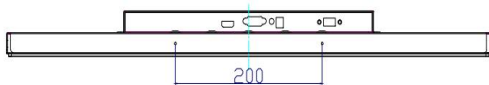
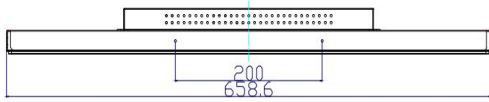
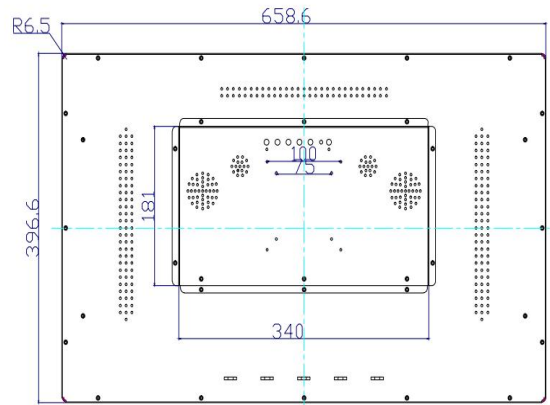
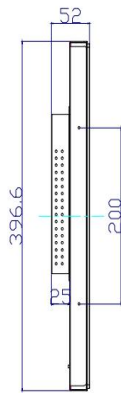
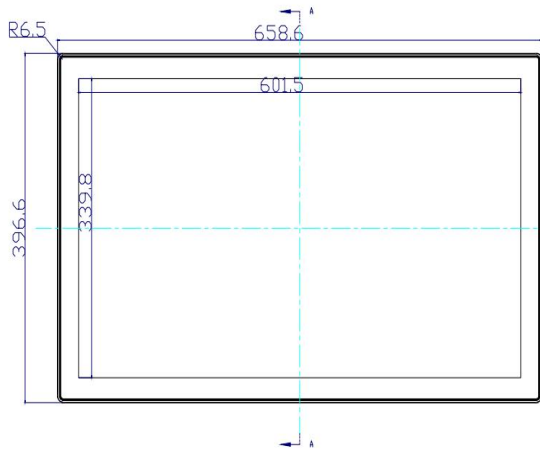
## Optional:

- No Touch
- Privacy Filter
- AG Coating
- Resolution: 4K
- Video interface: Display Port

## TDS2738C Open-Frame Touchscreen Specifications

Model	2738C
Color	Black/Silver
Diagonal	27"
Aspect Ratio	16:9
Active Area	596.736X335.664(mm)
Dimensions	659X397X53(mm)
Resolution	1920X1080 FHD @ 60Hz
Viewing Angle	Horizontal: 89° /89°; Vertical: 89° /89°
Number of Colors	16.7M
Brightness (typical)	LCD panel: 300 nits; PCAP Touch: 275 nits
Response Time	5ms
Contrast Ratio	3000:1
Touch Technology	PCAP (Projected Capacitive) - 10 Touch
Input method	Finger, Capacitance pen(Standard) Latex gloves touch (pre commissioning required)
Transmittance	≥90%
Surface hardness	7H(Mohs)
Touch Interface	USB 2.0
Video Interface	HDMI +VGA
Input Voltage	AC: 100-240 VAC,50/60 Hz
Sealability	Touchscreen sealed to bezel
Drop Test	1kg steel ball falls from 1.2m without breaking
Weight (Unpackage)	8.3KG
Shipping Dimensions	770X510X160(mm)
Operating Temperature	0°C to 40°C
Storage Temperature	-20°C to 60°C
Humidity	Operating: 20% to 70%; Storage: 10% to 80%
Mounting Options	Back VESA two groups of holes: 100mm&200mm Four sides has a set of fixing holes: 200mm
MTBF	30,000 hours demonstrated
Power Supply	DC:12V5A
Warranty	3-years
Agency Approvals	FCC, CE, ROHS
Support OS	Windows/Linux\Android
What's in the Box	1*USB cable,1*HDMI cable,1*DC cable (Standard) L" (Side Mount) Brackets and w/Screws (Options)

# TDS2738C-PCAP



Dimension in millimeter

