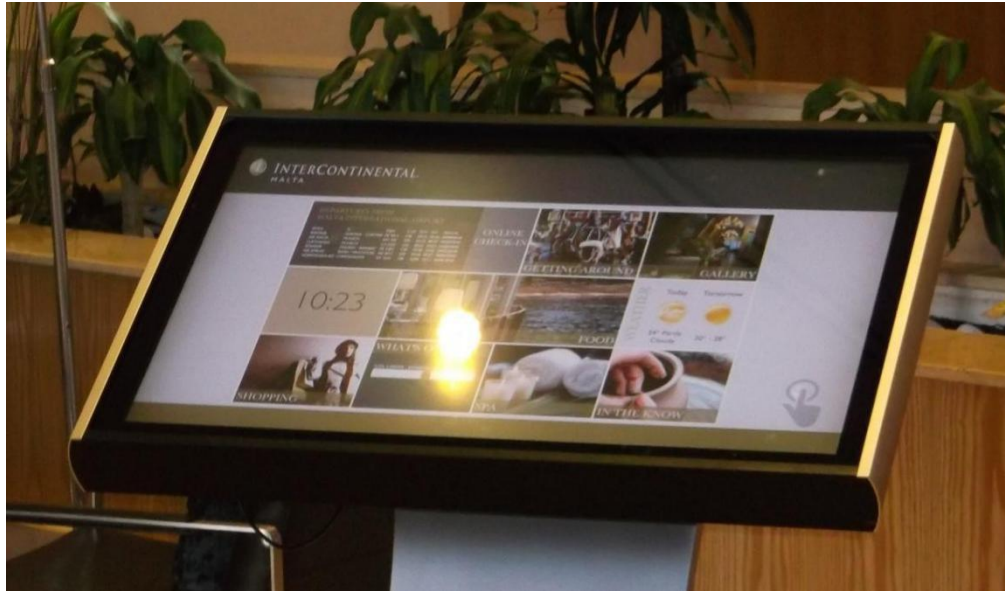


# 3238D 16:9 PCAP

## Open-Frame Touchscreen



### Feature:

- + Metal shell, open frame structure
- + Commercial grade LCD, LED backlight
- + Resolution 1920X1080FHD@60Hz
- + Widescreen full viewing Angle
- + Support horizontal and vertical
- + 10 point projection capacitive touchscreen
- + Cover plate anti riot and anti fingerprint
- + Infrared touchscreen optional
- + Video interface: HDMI+VGA
- + Multiple assembly holes on the side and back
- + Removable OSD remote for easy use
- + Support OS: Windows/Android/Linux
- + 2-Years warranty



### Optional:

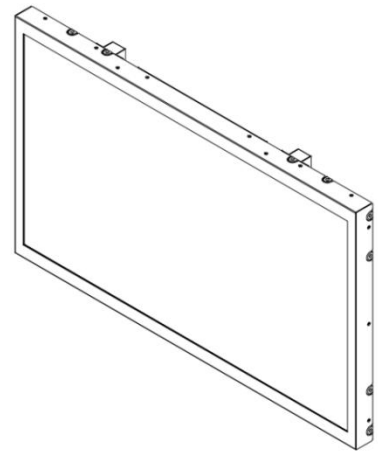
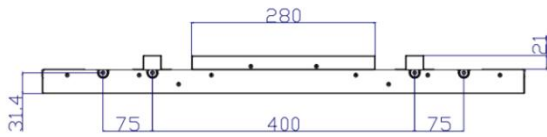
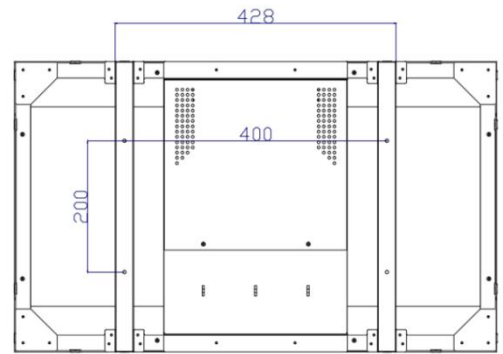
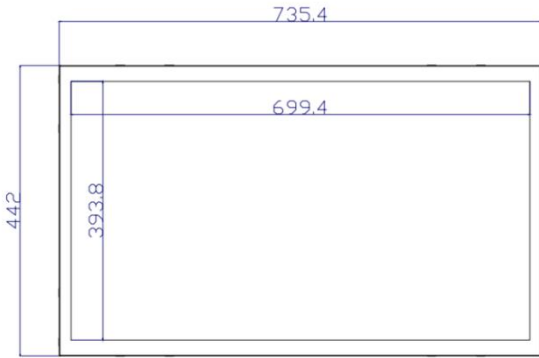
- No Touch
- AG Coating
- Resolution:4K
- Video interface: Display Port
- Media player box



## TDS3238D Open-Frame Touchscreen Specifications

Model	3238D
Color	Black/Silver
Diagonal	32"
Aspect Ratio	16:9
Active Area	698.4X393(mm)
Dimensions	735.4X442X58(mm)
Resolution	1920X1080FHD@60Hz
Viewing Angle	Horizontal: 89° /89°; Vertical: 89° /89°
Number of Colors	16.7M
Brightness (typical)	LCD panel: 400nits; PCAP : 375nits
Response Time	8ms
Contrast Ratio	1200:1
Touch Technology	PCAP (Projected Capacitive) - 10 Touch Infrared touchscreen -20 Touch(optional)
Transmittance	≥90%
Surface hardness	7H(Mohs)
Touch Interface	USB 2.0
Video Interface	VGA+HDMI
Input Voltage	AC: 100-240 VAC,50/60 Hz
Power Supply	Internal AC
Drop Test	1kg steel ball falls from 1.2m without breaking
Weight (Unpackage)	13KG
Shipping Dimensions	830X550X160(mm)
Operating Temperature	0°C to 40°C
Storage Temperature	-20°C to 60°C
Humidity	Operating: 20% to 70%; Storage: 10% to 80%
Mounting Options	Back VESA two groups of holes: 200mm&400mm Four sides has a set of fixing holes: 75mm
MTBF	30,000 hours demonstrated
Warranty	2-years
Agency Approvals	FCC, CE, ROHS
Support OS	Windows/Linux\Android
What's in the Box	1*USB cable,1*HDMI cable,1*AC cable,1*RJ45 OSD Remote ( Standard ) L" (Side Mount) Brackets and w/Screws ( Optional )

# TDS3238D-PCAP



Dimensions are in millimeters

