

# 1537 4:3 PCAP

Embedded touchscreen monitor



## Feature

- + Flat metal aluminum shell
- + The front panel meets the IP65 standard
- + Industrial grade LCD, LED backlight
- + Resolution 1024X768DPI@60Hz
- + 10 point projection capacitive touchscreen
- + 3mm anti-riot tempered glass
- + Ultra-Fast response speed and high precision
- + Video interface: HDMI+DVI+VGA
- + Back-mounted assembly structure
- + Prevent the DC port from falling off
- + Support OS: Windows/Android/Linux
- + 3-Years warranty



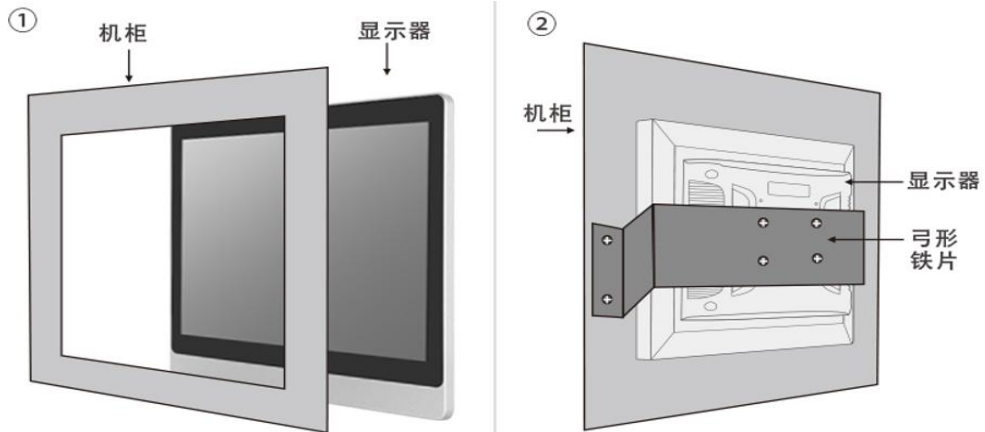
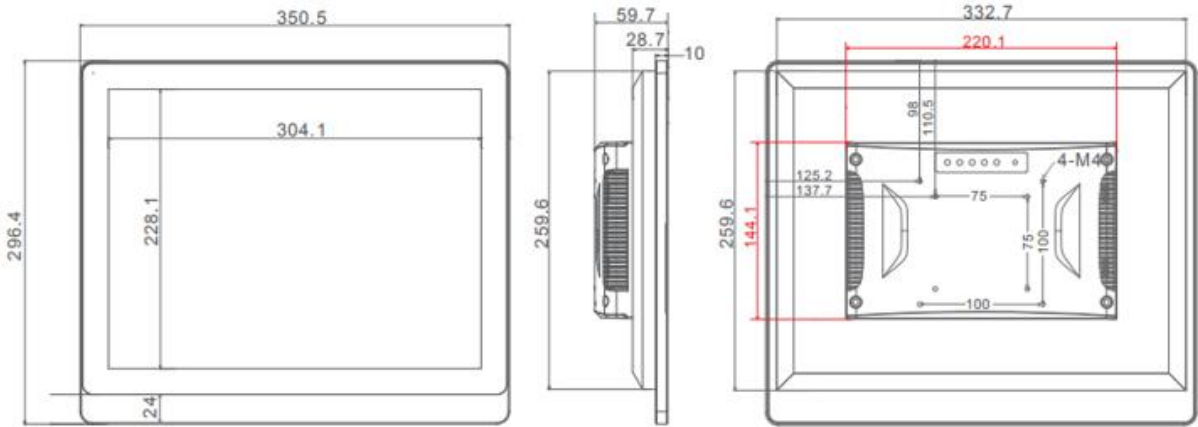
## Optional:

- No Touch
- Privacy Filter
- ALL-IN-ONE

## TDS1537 Embedded touchscreen monitor

Model	1537
Color	Black/Silver
Size	15''
Ratio	4:3
Native Resolution	1024X768DPI@60Hz
Active Area	304.1X228.1(mm)
Dimensions	350.5X296.4X59.7(mm)
Color	16.7M
Viewing Angle	80° /80°/80°/80°
Brightness	LED: 300mcd;PCAP Touchscreen: 275mcd
Contrast	700:1
The Response Time	6ms
Touch Technology	Projection Capacitor -10 Points
The Surface Hardness	7H
Light Transmittance	92%
Control Card Interface	RJ45 Standard (USB Definition)
Response Speed	12ms
Video Interface	HDMI+DVI+VGA
The Input Voltage	AC: 100-240 VAC,50/60 Hz
Power Adapter	DC12V /3A (DC Port 5.5*2.1 With Thread Protection)
IP65 Protection Level	IP65 Waterproof Test: Surface IP-X5, Dustproof Test: Surface IP-6X A. Nozzle Diameter: 6.3mm; B. Water Flow: 12.5±0.625L/Min; C. Water Pressure: Adjust According To The Specified Water Flow; D. For The Display Surface, The Central Part Of The Main Flow: Diameter 2.5m From The Nozzle A Circle Of About 40mm;. After The Test, Check No Water Phenomenon.
Antistatic	Contact Type: 4KV Air Electrostatic: 8KV
Shock Resistant	5-19 Hz / 1.0 Mm Amplitude;19-200 Hz / 1.0 G Acceleration
Impact Resistant	10g Acceleration 11ms Cycle
The Work Environment	Temperature: 0 °C To 50 °C; Humidity: 20% To 80%
Storage Environment	Temperature: -10 °C To 70 °C; Humidity: 10% To 90%
Installation	1. Embedded Buckle Installation: The Actual Opening Is Better Than The Display Opening Size 2MM 2. Wall Mounting: 75*75 And 100*100 (Mm), M4 Hole
The Quality Assurance	2- Years
MTBF	50000 Hours
Certification	FCC; CE; ROHS; CCC
Accessories	Buckle, VGA Cable, Touch Cable, Power Adapter, Power Cord, Manual, Warranty Card

TDS1537-PCAP



Dimension in millimeter

