

1030 4:3 PCAP

Industrial touch all-in-one



Features:

- + Zero bezel frame + Aluminum type material Shell
- + Front panel meets IP65 standard, dust/waterproof
- + Industrial grade LCD screen, LED backlight
- + Resolution 1024X768@60Hz
- + 10-point projection capacitive touchscreen
- + Cover plate waterproof and anti-riot treatment
- + Fanless Low power consumption motherboard
- + Intel Celeron®J1900 high-performance processor
- + 2* Intel 211AT gigabit network
- + 9-27V wide voltage power supply
- + Support 7X24 hours operation
- + Support OS: windows10/Linux/Ubuntu
- + 3-years warranty



Optional:

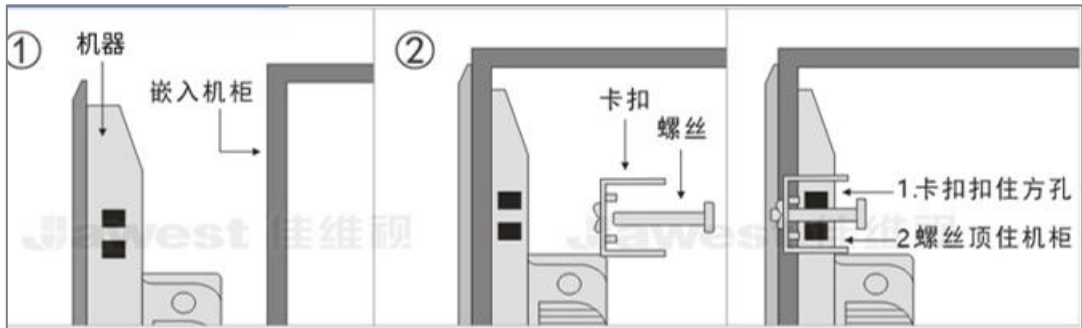
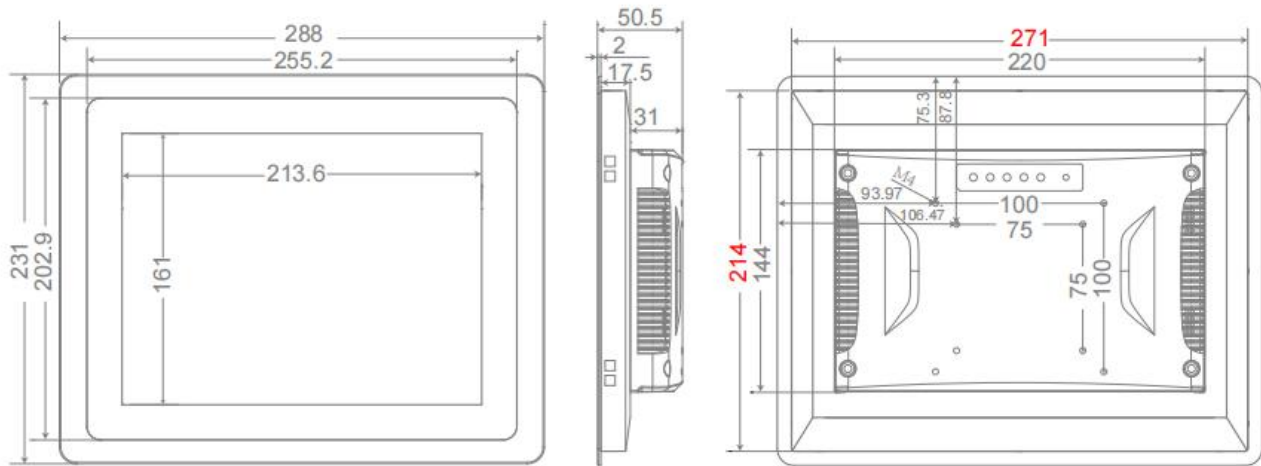
- No Touch
- AG Coating
- I5 processor
- Touchscreen Monitor



TDS1030 Industrial touch all-in-one Specification

Model	1030
Color	Black\Silver
Diagonal	10.4”
Aspect Ratio	4:3
Active Area	211.2X158.4(mm)
Dimensions	288X231X51.5(mm)
Structural opening size	271X214(mm)
Native Resolution	1024X768@60Hz
Number of Colors	262K
Viewing Angle	Horizontal: 80° /80°; Vertical: 70° /70°
Aspect Ratio	700:1
Brightness	LED: 300nits, Touch:275nits
LED Response	15ms
Touch technology	Projected capacitive touch screen -10 points
Touch the accuracy	≥2mm
Touch Interface	USB2.0
Processor	Intel®Celeron J1900 2.0ghz, quad-core, TDP 10W (2M cache, up to 2.42GHz)
chipset	BayTrail
Graphics	Intel®HD Graphics
Memory	DDR3L 4GB, maximum support 8G
Storage	SSD 64GB
Network	2XLAN RJ45 (Gigabit)
WLAN	2.4GHz,Wi-Fi support802.11 a / b / g / n / ac deal
Bluetooth	4.0
Speaker	2X2W(built-in)
Input voltage	AC : 100-240 VAC, 50-60 Hz
I/O Interface	2*USB2.0, 2*USB3.0, 2*RS232, 2*RJ-45, 1*DC 1* audio circuit output, 1* audio microphone input, 1*HDMI, 1*VGA
BIOS	AMI UEFI BIOS
Watchdog	Supports hardware reset (level 256, 0-255 seconds)
Power on	Support
Temperature	Operating: -10°C-50°C; Storage: -20°C-70°C
Humidity	Operating: 20%-70%; Storage: 10%-80%
Protection grade	The front panel IP65 is dustproof and waterproof
Drop Ball Test	The 1kg ball does not broken when it falls from 1.2 meters
MTBF	50000 hours
Shipping	320X280X145(mm)
VESA Mounting	VESA hole fixed hole two groups): 75mm&100mm Set of fixed hole positions of left and right-side snap-type: 362mm*262mm
Power Supply	DC:12V5A(5.5*2.5)
Support OS	Windows 7/Windows 10/Linux (The product comes with no OS)
What’s in the Box	1*Power cable/1*Power Adapter/4*Embedded buckle
Agency Approvals	FCC; CE; ROHS

TDS1030-PCAP



Dimensions are in millimeters

