

# 1530C 16:9 PCAP

Industrial touch all-in-one



## Features:

- + Zero bezel frame + Aluminum type material Shell
- + Front panel meets IP65 standard, dust/waterproof
- + Industrial grade LCD screen, LED backlight
- + Resolution 1920X1080FHD@60Hz
- + 10-point projection capacitive touchscreen
- + Cover plate waterproof and anti-riot treatment
- + Fanless Low power consumption motherboard
- + Intel Celeron®J1900 high-performance processor
- + 2\* Intel 211AT gigabit network
- + 9-27V wide voltage power supply
- + Support 7X24 hours operation
- + Support OS: windows10/Linux/Ubuntu
- + 2-years warranty



## Optional:

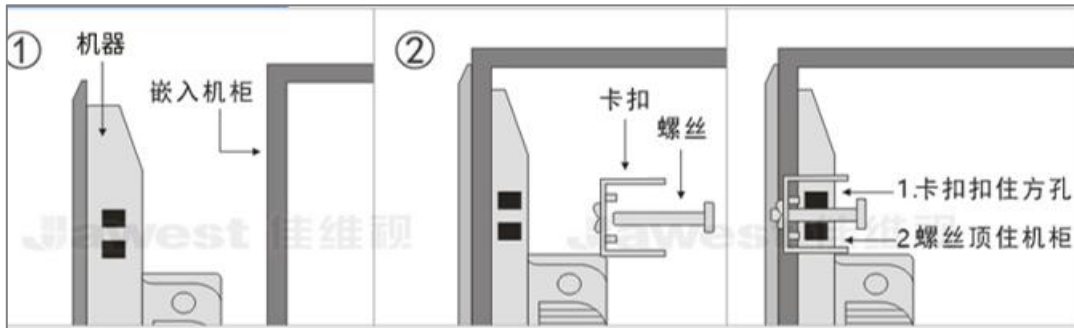
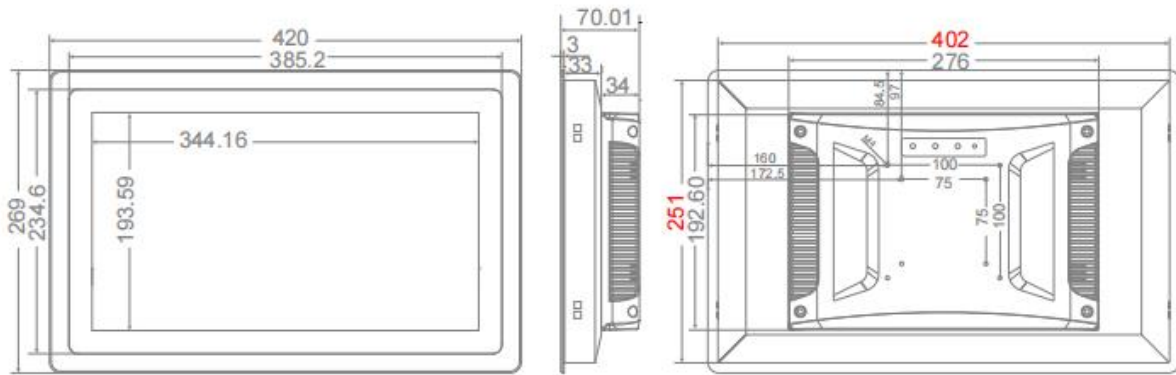
- No Touch
- AG Coating
- I5 processor
- Touchscreen Monitor



## TDS1530C Industrial touch all-in-one Specification

Model	1530C
Color	Black\Silver
Diagonal	15.6”
Aspect Ratio	16:9
Active Area	344.2X193.6(mm)
Dimensions	420X269X62(mm)
Structural opening size	402X251(mm)
Native Resolution	1920X1080@60Hz
Number of Colors	16.2M
Viewing Angle	Horizontal: 85° /85°; Vertical: 85° /85°
Aspect Ratio	1000:1
Brightness	LED: 300nits, Touch:275nits
LED Response	20ms
Touch technology	Projected capacitive touch screen -10 points
Touch the accuracy	≥2mm
Touch Interface	USB2.0
Processor	Intel®Celeron J1900 2.0ghz, quad-core, TDP 10W (2M cache, up to 2.42GHz)
chipset	BayTrail
Graphics	Intel®HD Graphics
Memory	DDR3L 4GB, maximum support 8G
Storage	SSD 64GB
Network	2XLAN RJ45 (Gigabit)
WLAN	2.4GHz,Wi-Fi support802.11 a / b / g / n / ac deal
Bluetooth	4.0
Speaker	2X2W(built-in)
Input voltage	AC : 100-240 VAC, 50-60 Hz
I/O Interface	2*USB2.0, 2*USB3.0, 2*RS232, 2*RJ-45, 1*DC 1* audio circuit output, 1* audio microphone input, 1*HDMI, 1*VGA
BIOS	AMI UEFI BIOS
Watchdog	Supports hardware reset (level 256, 0-255 seconds)
Power on	Support
Temperature	Operating: -10°C-50°C; Storage: -20°C-60°C
Humidity	Operating: 20%-70%; Storage: 10%-80%
Protection grade	The front panel IP65 is dustproof and waterproof
Drop Ball Test	The 1kg ball does not broken when it falls from 0.5 meters
MTBF	30000 hours
Shipping	520X340X135(mm)
VESA Mounting	VESA hole fixed hole two groups): 75mm&100mm Set of fixed hole positions of left and right-side snap-type: 362mm*262mm
Power Supply	DC:12V5A(5.5*2.5)
Support OS	Windows 7/Windows 10/Linux (The product comes with no OS)
What's in the Box	1*Power cable/1*Power Adapter/4*Embedded buckle
Agency Approvals	FCC; CE; ROHS

TDS1530C-PCAP



Dimensions are in millimeters

