

# 1537C 16:10 PCAP

Industrial embedded touch monitor



## Feature

- + Flat metal aluminum shell
- + The front panel meets the IP65 standard
- + Industrial grade LCD, LED backlight
- + Resolution 1920X1080FHD@60Hz
- + Widescreen full viewing Angle
- + 10 point projection capacitive touchscreen
- + 3mm anti-riot tempered glass
- + Ultra-Fast response speed and high precision
- + Video interface: HDMI+VGA
- + Back-mounted assembly structure
- + Prevent the DC port from falling off
- + Support OS: Windows/Android/Linux
- + 3-Years warranty



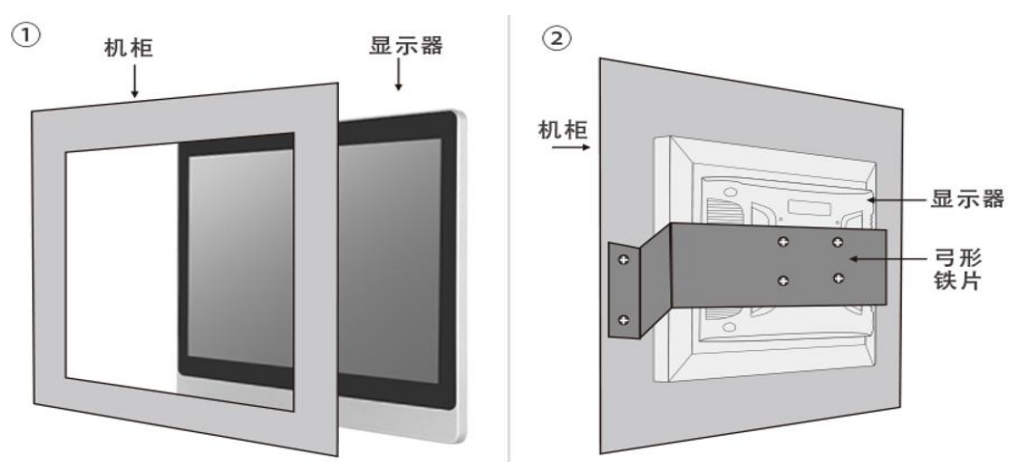
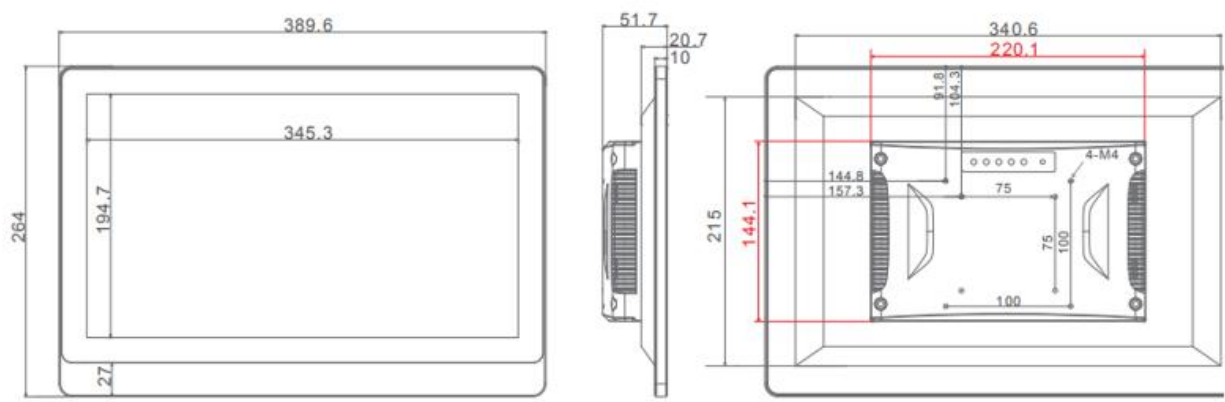
## Optional:

- No Touch
- Privacy Filter
- ALL-IN-ONE

## TDS1537C Embedded touchscreen monitor

|                        |   |
|------------------------|---|
| Model                  | 1537C   |
| Color                  | Black/Silver  |
| Size                   | 15.6''  |
| Ratio                  | 16:9  |
| Native Resolution      | 1920X1080FHD@60Hz   |
| Active Area            | 345.3X194.7(mm)   |
| Dimensions             | 389.6X264X51.7(mm)  |
| Color                  | 16.7 M  |
| Viewing Angle          | 89 ° /89 ° / 89/89 °  |
| Brightness             | LED: 300mcd;PCAP Touchscreen: 275mcd  |
| Contrast               | 800:1.  |
| The Response Time      | 5ms   |
| Touch Technology       | Projection Capacitor -10 Points   |
| The Surface Hardness   | 7H  |
| Light Transmittance    | 92%   |
| Control Card Interface | RJ45 Standard (USB Definition)  |
| Response Speed         | 12ms  |
| Video Interface        | HDMI+DVI+VGA  |
| The Input Voltage      | AC: 100-240 VAC,50/60 Hz  |
| Power Adapter          | DC12V /3A (DC Port 5.5*2.1 With Thread Protection)  |
| IP65 Protection Level  | IP65 Waterproof Test: Surface IP-X5, Dustproof Test: Surface IP-6X<br>A. Nozzle Diameter: 6.3mm;<br>B. Water Flow: 12.5±0.625L/Min;<br>C. Water Pressure: Adjust According To The Specified Water Flow;<br>D. For The Display Surface, The Central Part Of The Main Flow: Diameter 2.5m From The Nozzle<br>A Circle Of About 40mm;.<br>After The Test, Check No Water Phenomenon. |
| Antistatic             | Contact Type: 4KV Air Electrostatic: 8KV  |
| Shock Resistant        | 5-19 Hz / 1.0 Mm Amplitude;19-200 Hz / 1.0 G Acceleration   |
| Impact Resistant       | 10g Acceleration<br>11ms Cycle  |
| The Work Environment   | Temperature: 0 °C To 50 °C; Humidity: 20% To 80%  |
| Storage Environment    | Temperature: -10 °C To 70 °C; Humidity: 10% To 90%  |
| Installation           | 1. Embedded Buckle Installation: The Actual Opening Is Better Than The Display Opening Size 2MM<br>2. Wall Mounting: 75*75 And 100*100 (Mm), M4 Hole  |
| The Quality Assurance  | 3 Years   |
| MTBF                   | 30000 Hours   |
| Certification          | FCC; CE; ROHS; CCC  |
| Accessories            | Buckle, VGA Cable, Touch Cable, Power Adapter, Power Cord, Manual, Warranty Card  |

TDS1537C-PCAP



Dimension in millimeter

