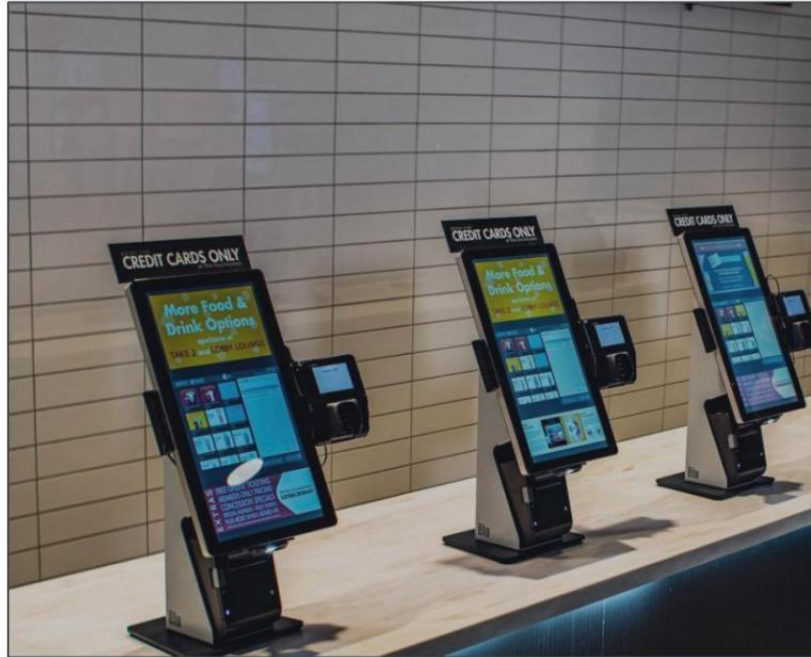


# 2402C 16:9 PCAP

## Desktop Touchscreen Monitor



## Features

- + Flat appearance design
- + Metal shell, ultra-thin shape
- + Commercial grade LCD, LED backlight
- + Resolution 1920X1080FHD@60Hz
- + 300 nits brightness, full viewing angle
- + 10-touch projective capacitive touchscreen
- + 7H hardness tempered glass, with AF coating
- + Smooth to the touch, even with water droplets
- + Video interface: HDMI+VGA
- + Stable base with adjustable angle
- + Back VESA wall hanging : 100mmx100mm
- + Support OS: Windows/Android/Linux
- + 2-Year Warranty

## Optional:

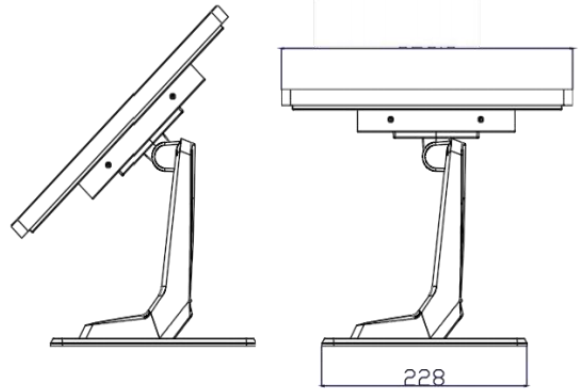
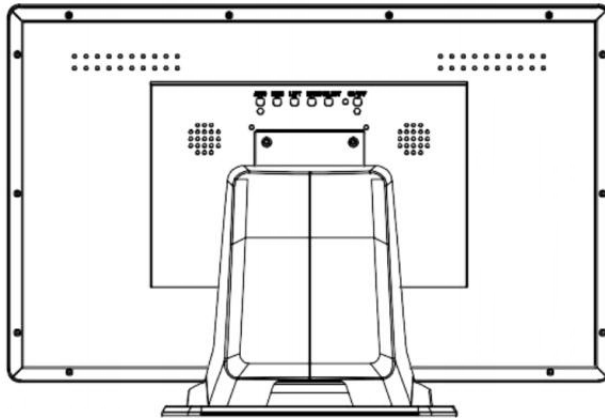
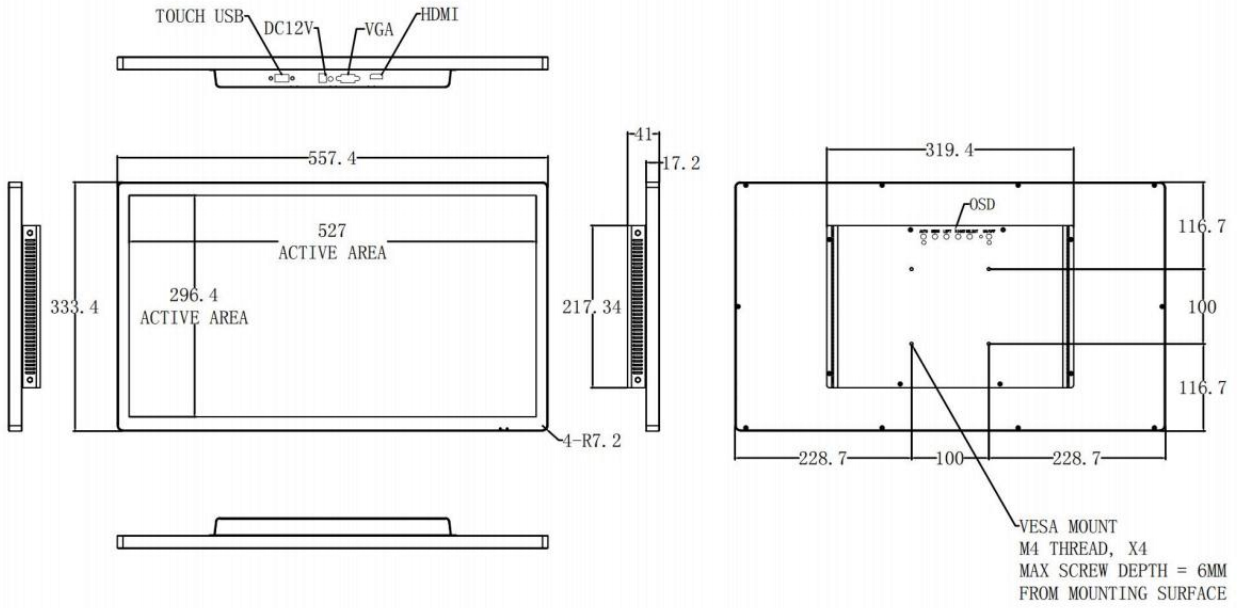
- No Touch
- Private Filter
- AG Coating
- Video interface: Display Port
- All-in-one (Windows/Android)



## TDS2402C Desktop Touchscreen Monitor Specification

Model	2402C
Diagonal	23.8"
Color	Black/Sliver
Aspect Ratio	16:9
Active Area	521.28X293.22(mm)
Dimensions	557.4X333.4X41(mm)(Base not included)
Resolution	1920X1080 FHD@60Hz
Viewing Angle	Horizontal: 89° /89°;Vertical: 89° /89°
Brightness	LCD Panel: 3 00nits;PCAP Touch: 2 7 5nits
Number of Colors	16.7M , 72% NTSC
Contrast Ratio	3000:1
Response Time	10ms
Touch technology	PCAP (TouchPro® Projected Capacitive) - 10 touch
Input method	Finger, Capacitance pen(Standard) Latex gloves touch (Gloves thickness ≤2mm )
Transmittance	≥90%
Surface hardness	7H(Mohs)
Touch interface	USB 2.0
Video Interface	HDMI+VGA
Speaker	TwoX2W internal speakers
Input Voltage	AC:100-240VAC, 50/60Hz
Sealability	Touchscreen sealed to bezel
Drop Test	The 450g steel balle falls from1.2m without breaking
Weight (Unpackage)	7KG(Base not included)
Shipping Dimensions	600X415X175(mm)
Operating Temperature	0°C-40°C;
Storage Temperature	-20°C-60°C
Humidity	Operating: 20%-70%;Storage: 10%-80%
MTBF	30,000 hours
Mounting Options	VESA:100X100(mm)
BASE(Optional)	Adjusting angle: 0°C-45°C
Power Supply	12V3A
Warranty	2-year
Agency Approvals	FCC; CE; RoHS
Support OS	Windows/Linux\Android
What's in theBox	1*USB cable,1*HDMI cable,1*DC cable

# 2402C-PCAP



Dimensions are in millimeters

